

LEGENDS

AREA LEGEND

Pool Equipment & Mechanical Room	440SF
Storage	85SF
Electrical Room	30SF
Men's Change Room	340SF
Women's Change Room	340SF
Barrier Free Washroom & Family Change Room	58SF
Shower & Corridor	88SF
Barrier Free Washroom	58SF
Staff Room	175SF

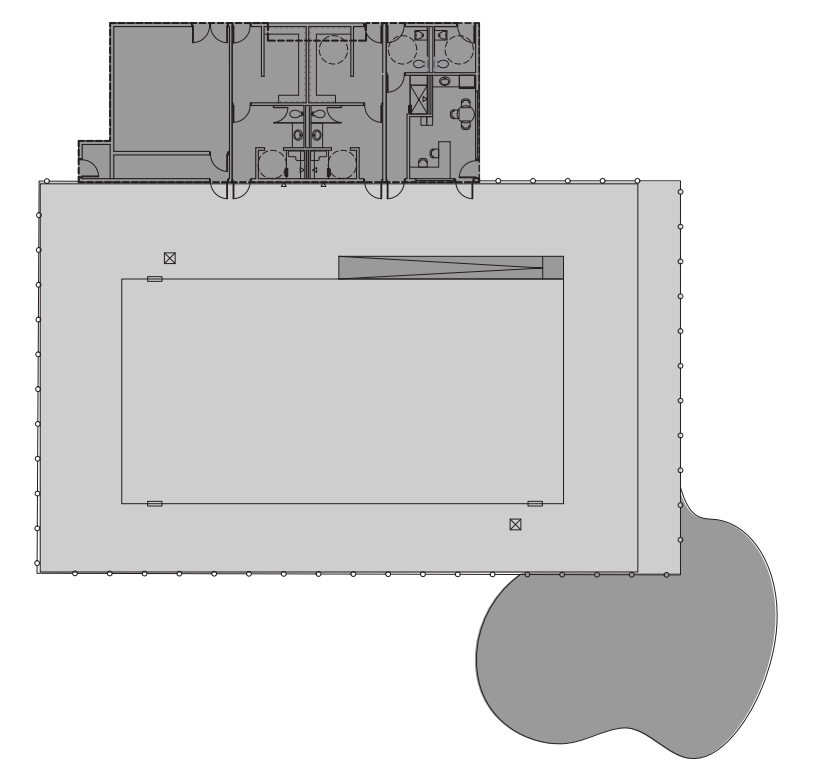
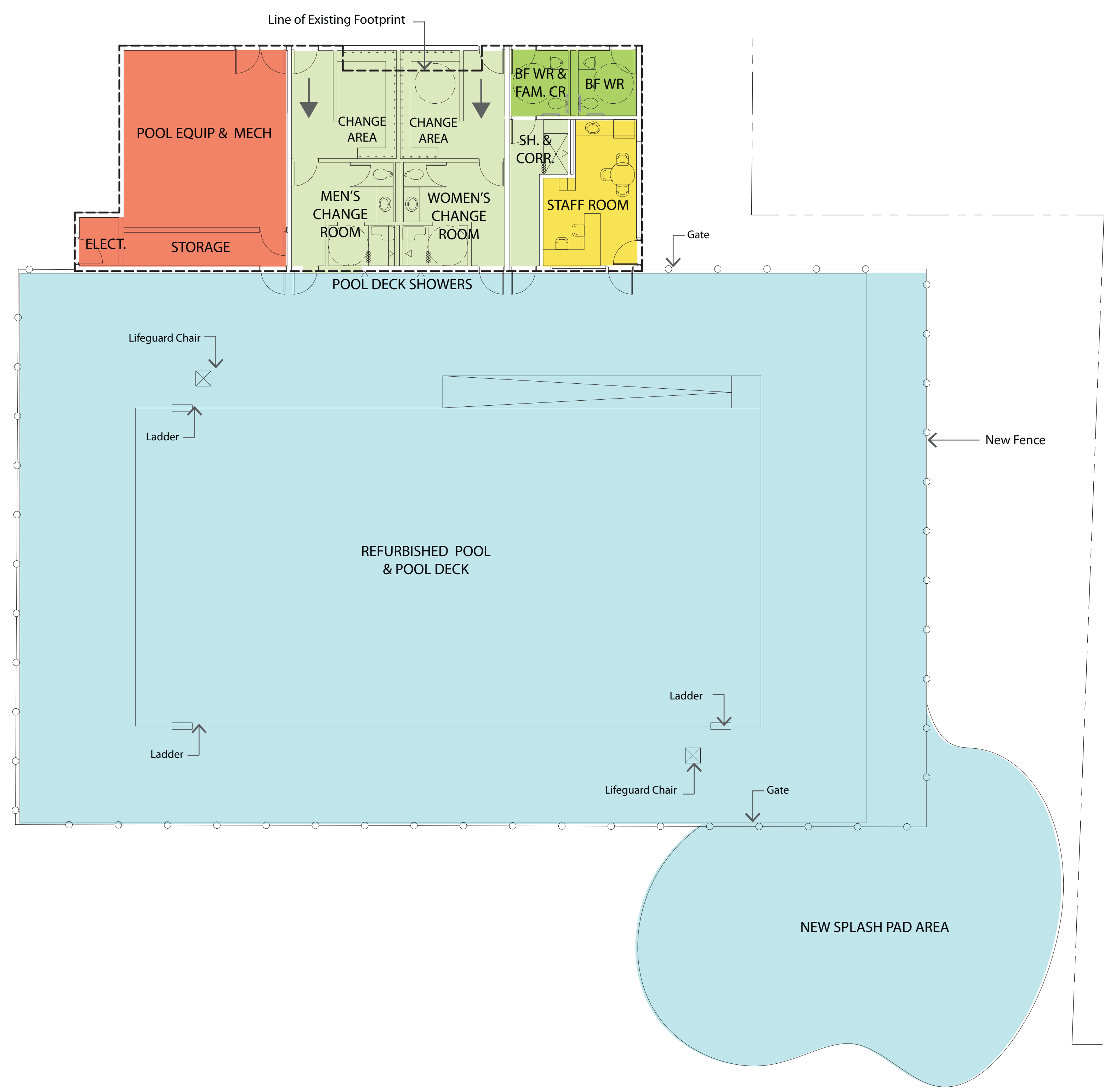
FLOOR PLAN LEGEND

- Support Space: Mech, Elect. Storage
- Pool & Splash Pad
- Change Rooms
- Washrooms - Four Seasons
- Staff Room

KEY PLAN LEGEND

- New Construction
- Renovated Space

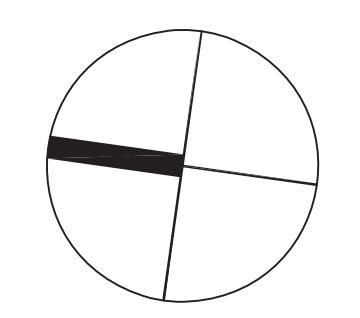
ANDREW STREET



Key Plan
N.T.S.



INVIZIJ ARCHITECTS INC.
185 YOUNG STREET, HAMILTON, ON, L8N 1V9
T: 905525 9000 x226 | F: 905 523 7600 | invizij.ca



Scale 1:100
0 3 6m

Exeter Pool
Option 1 -Existing Footprint
April 03, 2013

LEGENDS

FLOOR PLAN LEGEND

- Support Space: Mech, Elect. Storage
- Pool & Splash Pad
- Change Rooms
- Washrooms - Four Seasons
- Staff Room

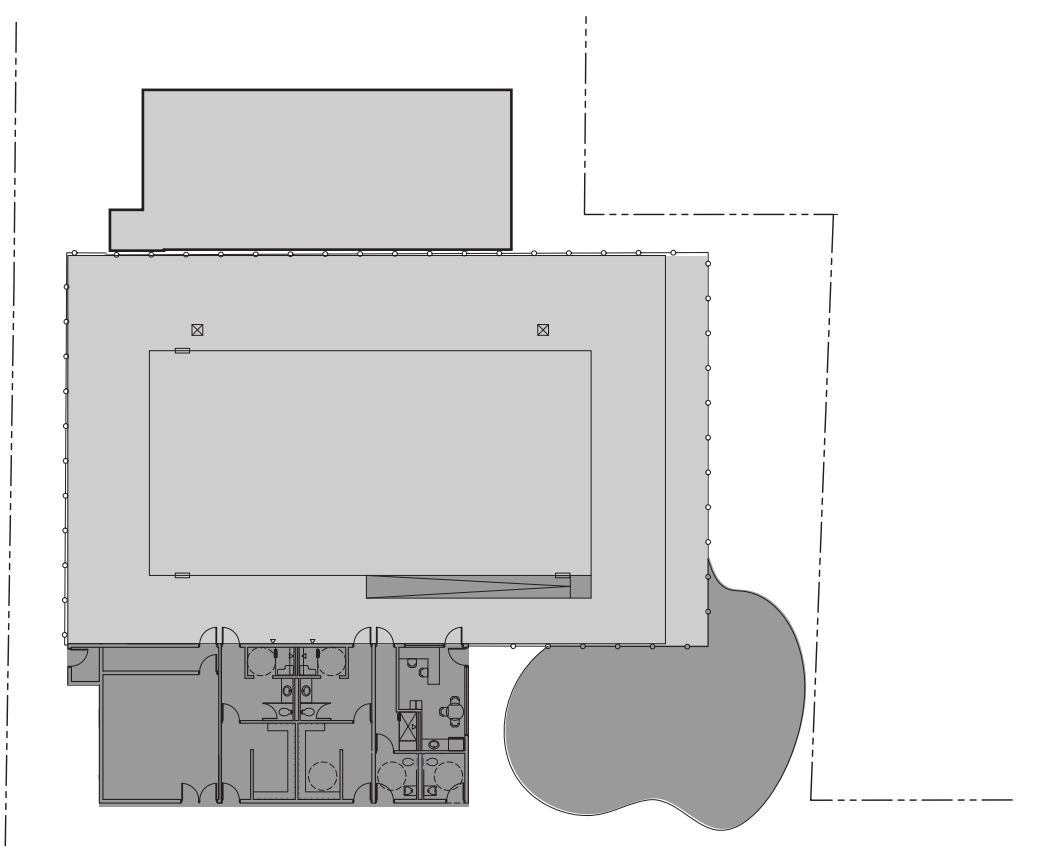
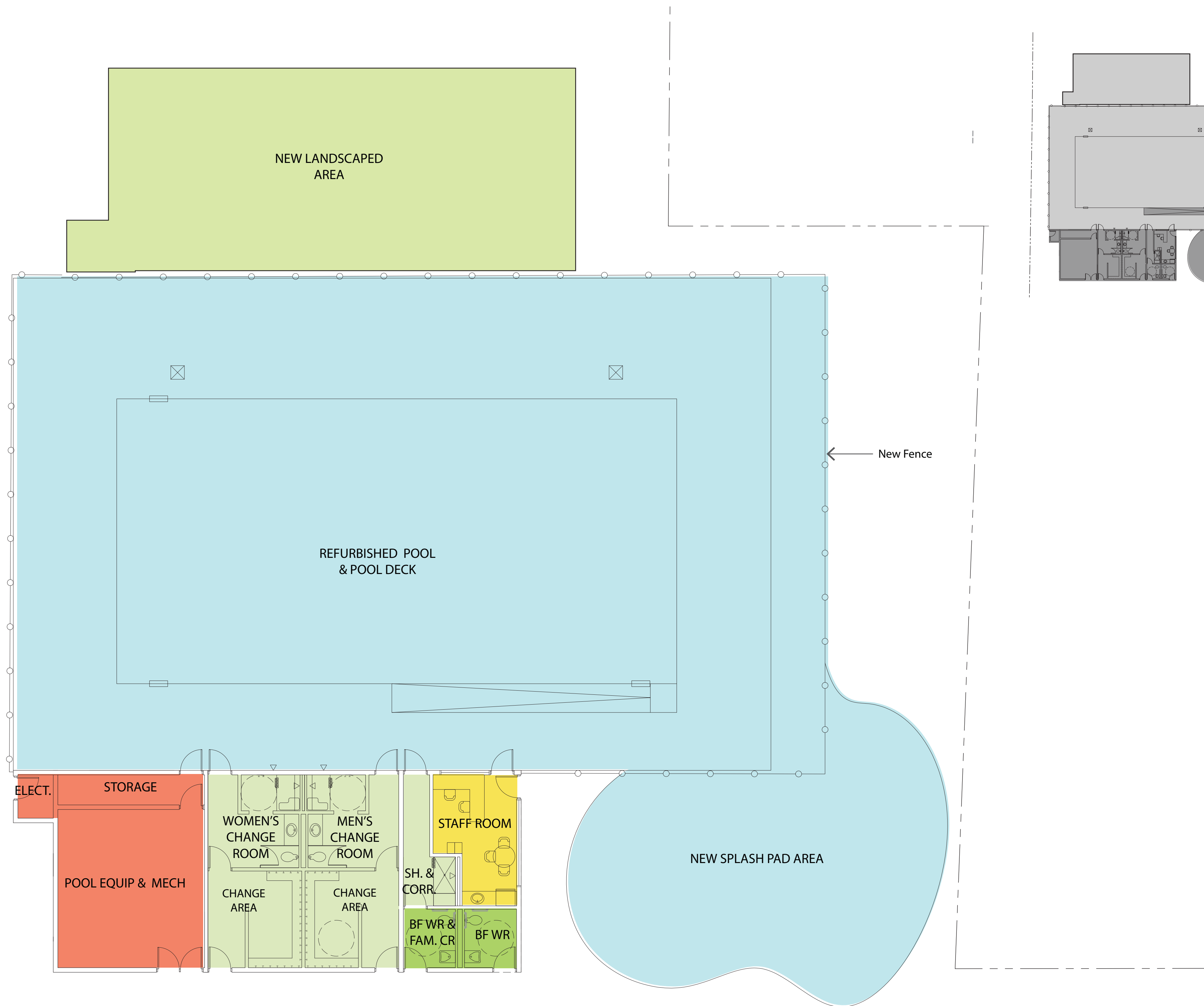
KEY PLAN LEGEND

- New Construction
- Renovated Space

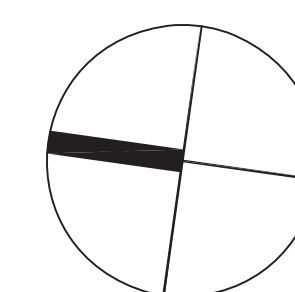
AREA LEGEND

Pool Equipment & Mechanical Room	440SF
Storage	85SF
Electrical Room	30SF
Men's Change Room	340SF
Women's Change Room	340SF
Barrier Free Washroom & Family Change Room	58SF
Shower & Corridor	88SF
Barrier Free Washroom	58SF
Staff Room	175SF

ANDREW STREET



Key Plan
N.T.S.



LEGENDS

FLOOR PLAN LEGEND

- Support Space: Mech, Elect. Storage
- Pool & Splash Pad
- Change Rooms
- Washrooms - Four Seasons
- Staff Room

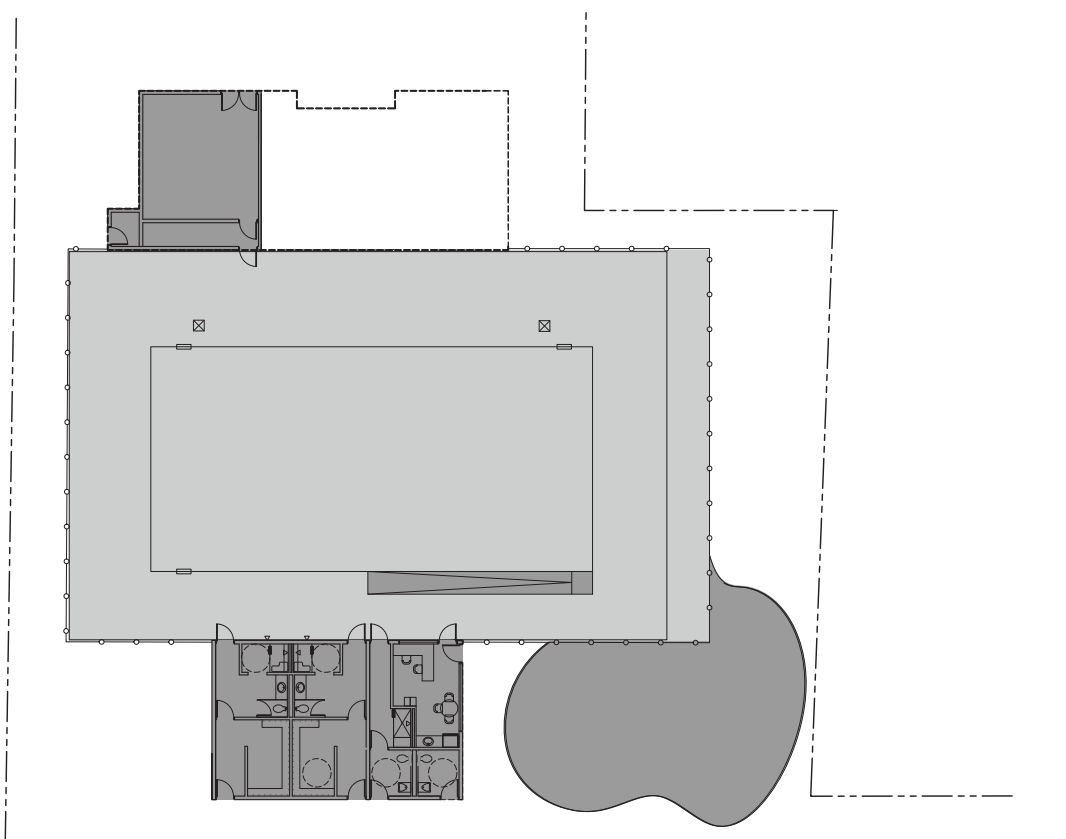
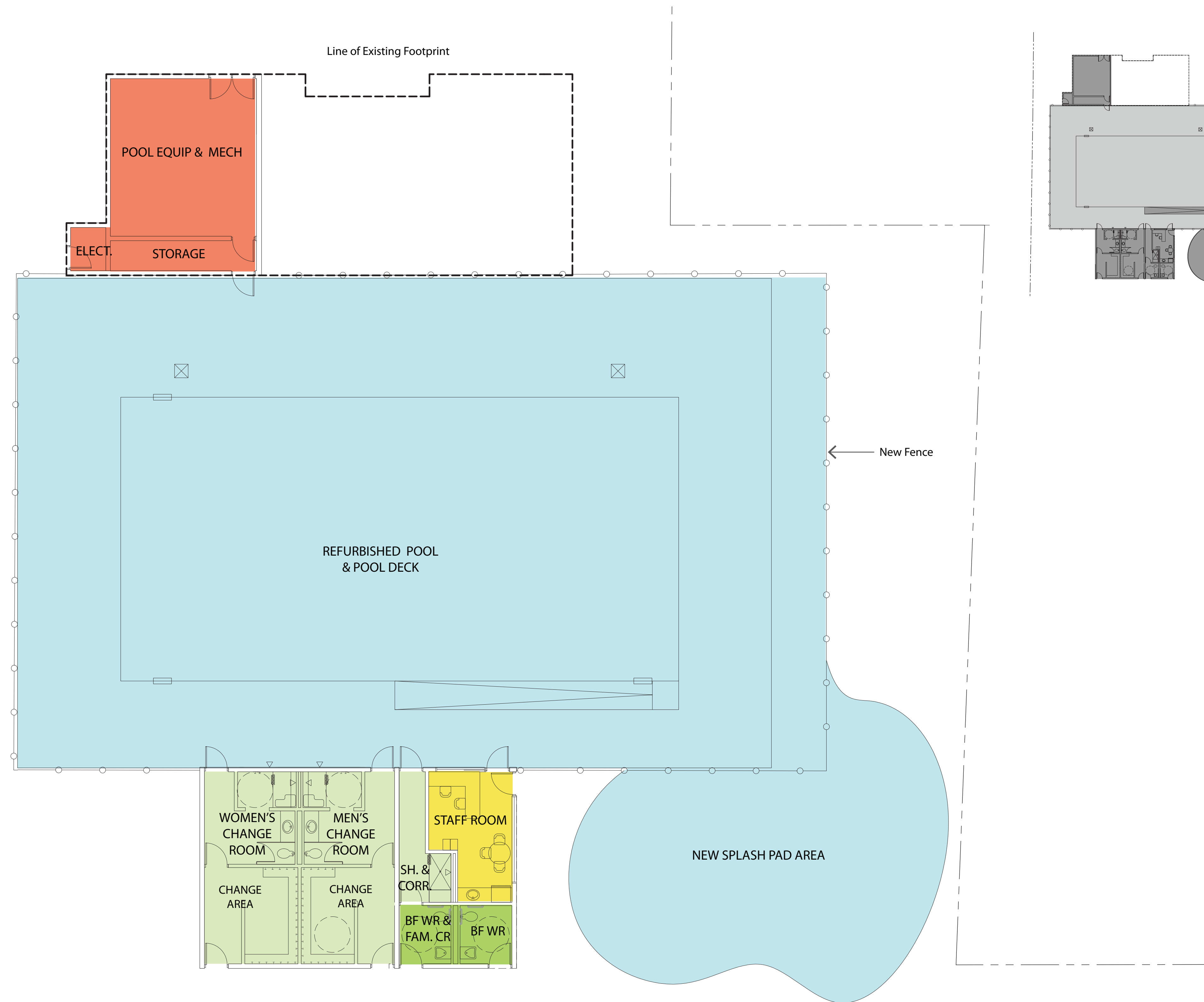
KEY PLAN LEGEND

- New Construction
- Renovated Space

AREA LEGEND

Pool Equipment & Mechanical Room	440SF
Storage	85SF
Electrical Room	30SF
Men's Change Room	340SF
Women's Change Room	340SF
Barrier Free Washroom & Family Change Room	58SF
Shower & Corridor	88SF
Barrier Free Washroom	58SF
Staff Room	175SF

ANDREW STREET



Key Plan
N.T.S.

